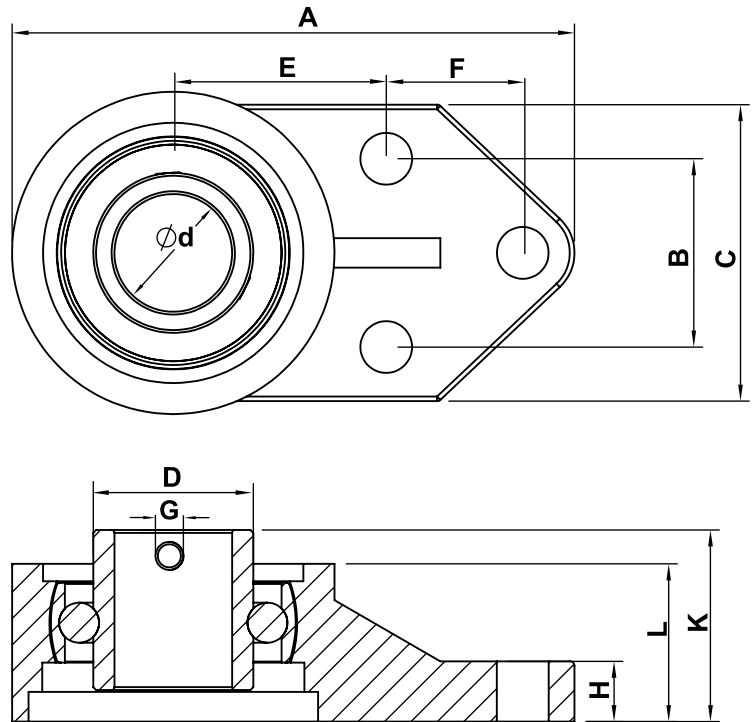


SPECTRA PLAST - PLASTIC BEARING BLOCK



UCFB - SIDE FLANGE BEARING UNITS



$\varnothing d$	CODE	A	B	C	E	F	G	D	H	L	K
20	FB 204	108.5	38.0	61.0	43.0	21.5	M6	28.5	14.0	26.5	32.5
25	FB 205	122	41.0	63.0	46.0	29.0	M6	33.3	14.0	27.5	35.0
30	FB 206	140	47.0	75.0	52.4	32.0	M6	40.3	14.5	32.0	41.0